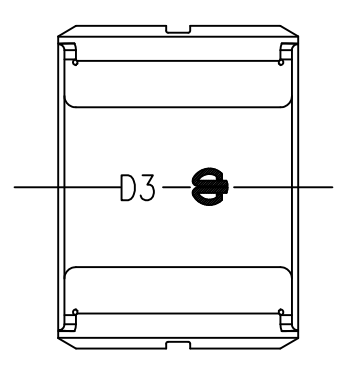
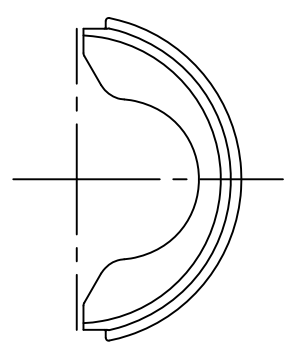
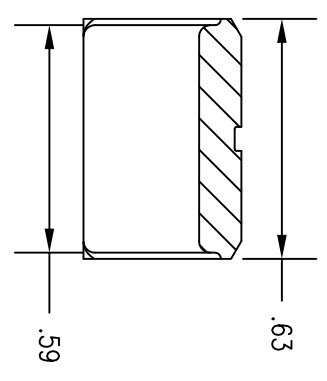
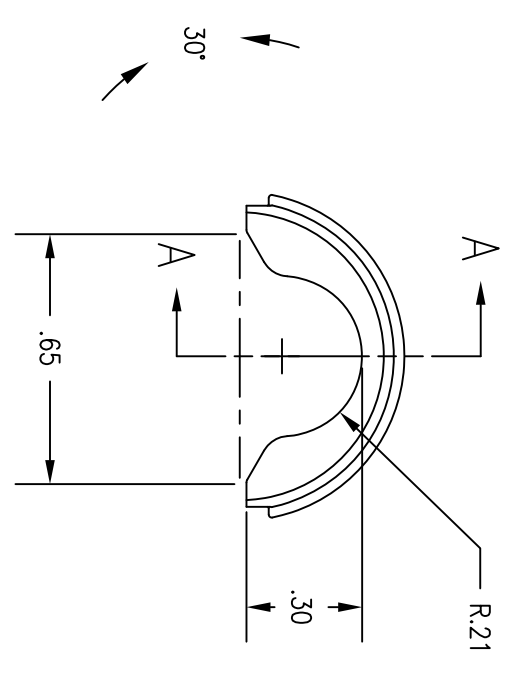
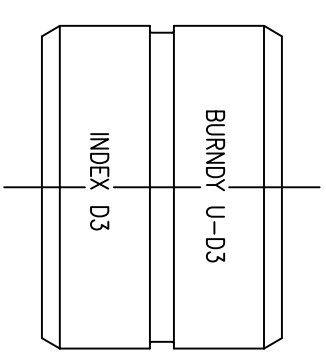


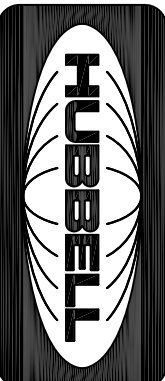
CATALOG NUMBER	DESCRIPTION
HUD3	U DIE, D3 INDEX



NOTE:

1. SPECIFICATION SUBJECT TO CHANGE WITHOUT NOTICE.

REV.	ECN	DATE	DESCRIPTION	CHG BY	APPD BY
1	18115	04/24/13	INITIAL RELEASE	MMA	

Created on AUTOCAD		<p>DIMENSIONING AND TOLERANCE PER ANSI Y14.5M-1982 UNLESS OTHERWISE SPECIFIED, DIMENSIONS ARE IN INCHES (MM). TOLERANCES .XX = ±.01 (.25) .XXX = ±.005 (.127) .XXXX = ±.0025 (.0635) ANGLE TOL ±.1°</p>	
<p>IN ACCEPTING OUR DRAWINGS, BLUPRINTS, OR SUPPORTING DOCUMENTATION FOR QUOTATION OR OTHER PURPOSES, YOU AGREE NOT TO DISCLOSE TO OTHERS THE IDEAS, INFORMATION, OR DESIGNS SHOWN HEREIN, AND THAT YOU WILL MAKE NO USE OF SAME WITHOUT PERMISSION</p>		<p>PROJECT REFERENCE: <b>2011-041</b></p>	 <p><b>Hubbell Premise Wiring</b> HUBBELL INCORPORATED (Delaware) 23 CLARA DRIVE, SUITE 103 MYSTIC, CT 06355</p>
<p>MATERIAL: STAINLESS STEEL</p>		<p>DRAWN BY: M. ABBY 04/04/13</p>	<p>TITLE: DIE U, D3 INDEX</p>
<p>APPROVED BY:</p>		<p>CHECKED BY:</p>	<p>SIZE: <b>C</b> DRAWING NO. <b>HW514304C</b> SCALE: 1/1</p>
		<p>APPROVED BY:</p>	<p>REV. <b>1</b></p>